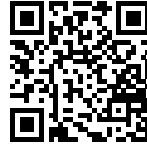


## Sink Foster Milano

Kitchen Sinks

Code: 1017 055



### DETAILS

Edge/Installation Type Flush-mount | Top-mount

---

Finish Foster brushed

---

Material AISI 304 stainless steel

---

Texture Brushed in line

---

Base 120 cm

---

Dimensions 1024x560 mm

---

Standard fittings Fixing hooks, gasket, drain, overflow and siphon, boxed packing

---

Mixer holes 2 standard holes

---

Built-in hole [View technical data sheet](#)

---

Drainer	No
Width	102 cm
Bowl dimension	968x400 mm
Number of bowls	1 bowl
Waste fitting	Drain with automatic control SPACE MILANO - 3.5 "

## EQUIPMENT

1 x Space Milano automatic waste fitting 8407 115  
1x Knife holder element

## FEATURES

56 cm deep	56 cm deep. An increased dimension synonymous with great functionality, which distinguishes the Foster Milano series.
Automatic waste fitting	The waste-fitting with round remote knob is supplied; a practical accessory which makes it unnecessary to get wet in order to drain the water from the bowl.
Diamond-shape bottom	The draining of water is an important feature in a sink, and it's always taken good care of in Foster products. In the bent-welded sinks, which would have a flat bottom, the proper draining is guaranteed by the elegant beveling, which helps the water flow.
Double mixer hole	The large tap counter is already fitted with a series of 2 tap holes. In the second hole it is possible to install the remote control of the automatic drain or, alternatively, a practical soap dispenser.
High thickness	1mm thick steel. A significant thickness, which guarantees the maximum sturdiness and durability.

## Perimetral overflow

The overflow is always a security on the Foster sinks that prevents the overflow of water in case of oversights. The perimeter drain solution improves aesthetics thanks to its square and essential shape.

---

## Save space system

Drain and siphon are designed to leave as much space as possible in the under-sink area, more and more useful today for theseparate waste collection systems.

---

## Space waste fitting

The elegant SPACE steel cap closes the drain and leaves no visible residues collected in the basket below. Space also has a small footprint and allows the optimal use of the under-sink compartment.

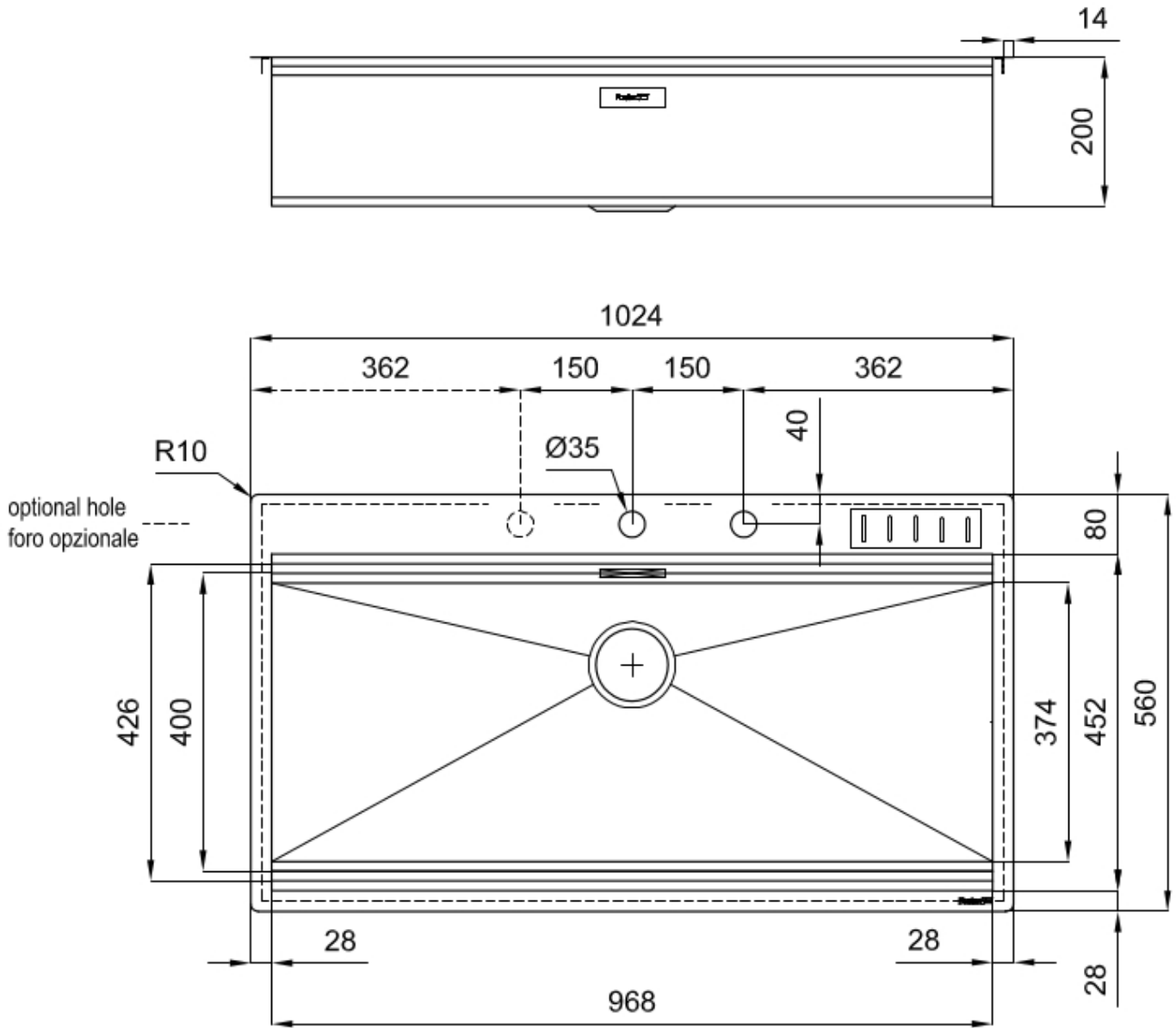
---

## Triple recess - sliding accessories

The Foster Milano sink has an ingenious design that makes it simple to use a large set of optional accessories. On the topmost supporting step, the innovative Black grids slide, creating a large and practical surface to rinse food and crockery. The second step is meant to support and allow the sliding of a complete combination of accessories, which make some operations practical and safe: rinse, drain, slice, grate... everything can be done inside the sink. The third supporting step is on the bottom of the bowl. On this step one can rest the Black grids, making it possible to rinse foodstuffs without their coming in contact with the bottom of the sink, which may be dirty.

---

## TECHNICAL DATA



## Milano Optional accessories / Accessori opzionali

The "rails" system makes it possible to use a combination of numerous accessories. Grids, chopping boards, utensils' ranging system, bowls and containers of different dimensions can be alternated in the workspace with a simple gesture, and can easily be stacked, in order to be on hand at all times.

Il sistema di "corsie" rende possibile l'utilizzo combinato di innumerevoli accessori. Griglie, taglieri, portautensili, vaschette e contenitori di varie dimensioni si alternano nella zona di lavoro con un semplice gesto e possono essere impilati, sempre a portata di mano.



## Milano Level 1

Compatible accessories/Accessori compatibili:

8100 600  
8642 000



## Milano Level 2

Compatible accessories/Accessori compatibili:

8153	100
8631	300
8644	101



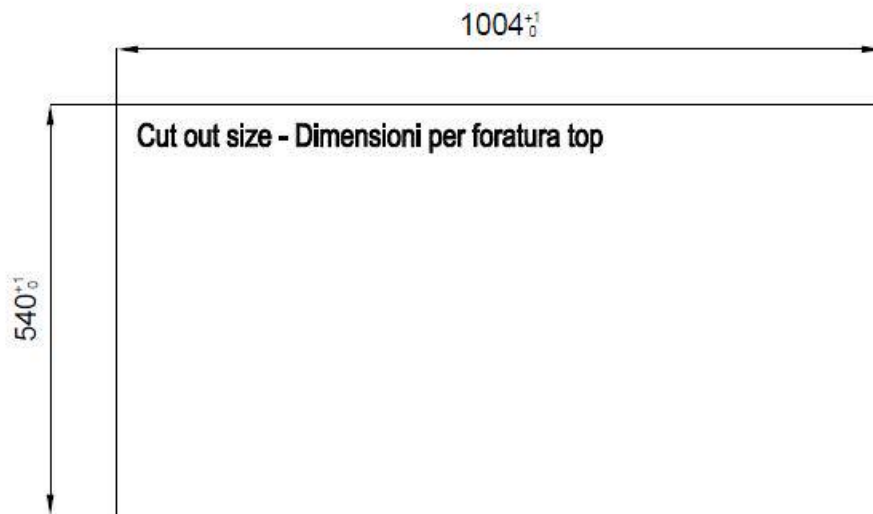
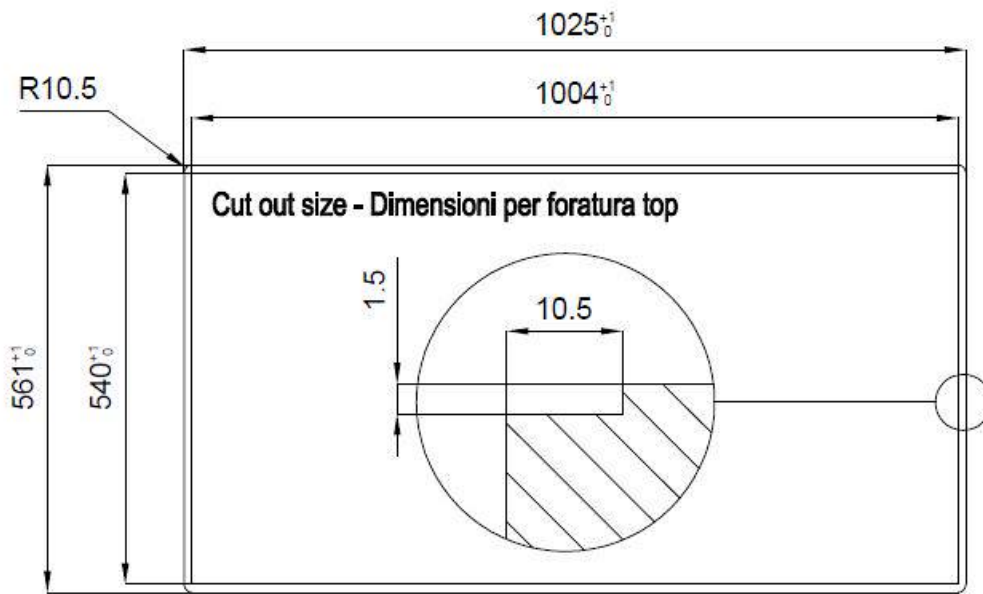
## Milano Level 3

Compatible accessories/Accessori compatibili:

8100 600



## Lavello MILANO cod. 1017/055



## GALLERY



## EQUIPMENT



**Space Milano automatic waste fitting**  
8407 115

## OPTIONAL ACCESSORIES



**Black grid**  
8100 600



**HPDE Twin chopping board**  
8644 101



**Stainless steel plate rack**  
8100 303  
\* only in combination with the accessory  
8644 101



**Walnut-wood chopping board**  
8642 000



**3 Bottles-holder set**  
8100 621



**3 Bowls set**  
8100 622



**4 Spices-holder set**  
8100 620



**Foldable rack**  
8110 000



**Glass chopping board**  
8631 300



**Graters kit with ring-holder and  
food collection tray**  
8159 101  
\* only in combination with the accessory  
8644 101



**Iroko-wood sliding chopping board  
with stainless steel colander**  
8644 044



**Kit Black**  
8100 037



**Kit multi-bowl**  
8100 628



**Knives-holder**  
8100 030  
\* only in combination with the accessory  
8100 621



**Stainless steel colander**  
8151 010



**Stainless steel perforated tray**  
8151 000  
\* only in combination with the accessory  
8644 101



**Stainless steel perforated tray**  
8151 001



**White bowl**  
8153 100

## RECOMMENDED PAIRINGS



**Cooker hob Foster Milano**  
7638 000



**Mixer Tap FL**  
8521 000